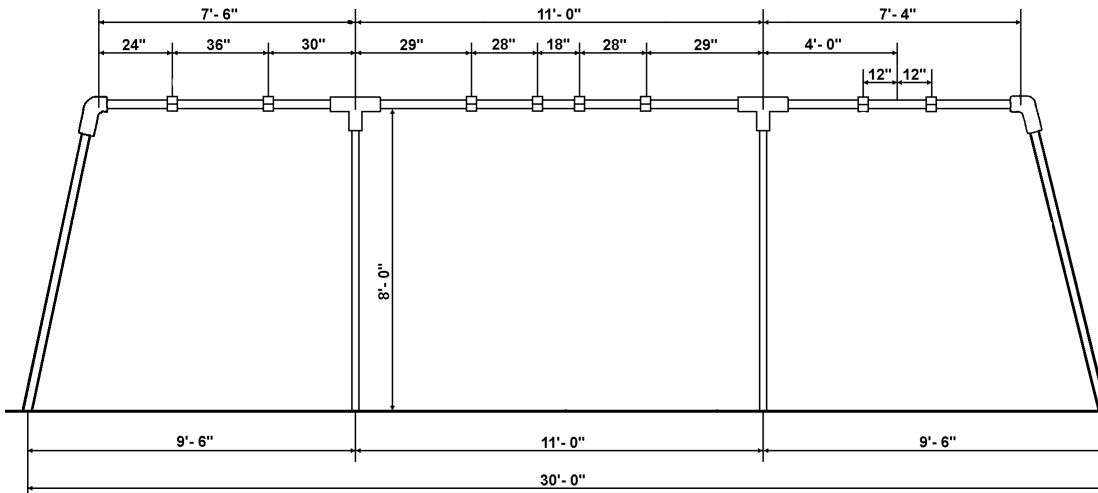


581-486F 8' Heavy Duty Combination Swing

IMPORTANT

PLEASE READ THESE INSTRUCTIONS BEFORE COMMENCING ASSEMBLY. Please retain this instruction sheet in your files. It contains important replacement parts information. All equipment must be installed in accordance with these instructions. It is important to use and maintain all public playground equipment properly. Playground equipment, which is improperly maintained, can cause serious injury. Periodical inspections, maintenance, repair and/or replacement of damaged parts is necessary for safe operation of equipment. Appropriate publications, available at no charge, from the Consumer Product Safety Commission, include "A Handbook for Public Playground Safety". You can receive your free copy by calling 1-301-504-0708.



Dimensions listed are proper for components shown. Minimum spacing required is 30" from chain to nearest support and 24" between chairs on adjacent components measured at 5'-0" above the resilient surfacing.

		<u>PACKING LIST</u>		<u>HARDWARE BAG</u>	
1	CTN	Hardware Bag		583-506	2 3/8" OD Pull Bracket
				583-507	2 3/8" OD Bracket Clamp
9	PIPE	1 343-210A	2 3/8" OD x 11'	8 585-520	2 3/8" Swing Hanger
2	PIPE	1 523-603	2 3/8" OD x 7' 6"	18 196-802	1/2" x 1/2" Socket Set Screw
2	WF	1 583-522	Swing End	2 416-350	3/16" Socket Key
2	WF	1 583-523	Center Fitting	1 416-400	1/4" Socket Key
				1 805-532	Warning Label
				1 805-534	SportsPlay Label
				1	Maintenance Checklist

6 CTN	11 PIPE	4 WF	21 TOTAL PCS	WT 584#	CLASS 70
-------	---------	------	--------------	---------	----------

GENERAL FOOTING RECOMMENDATIONS:

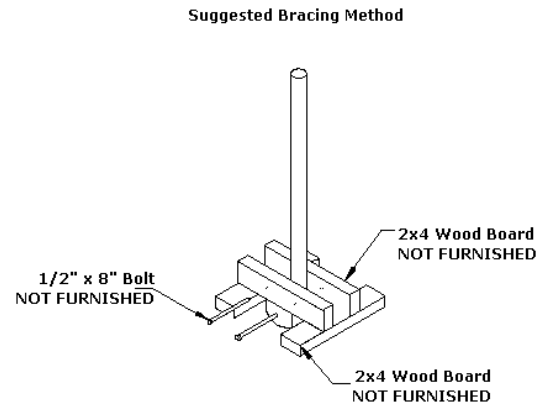
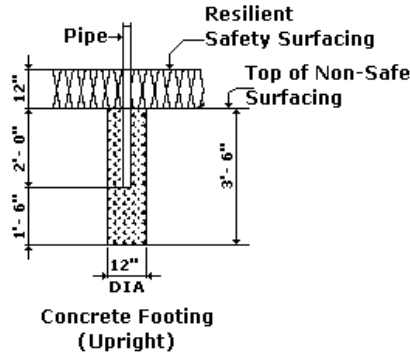
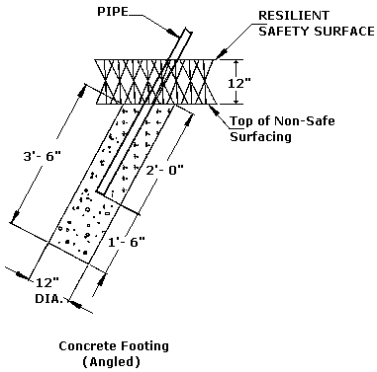
SportsPlay Equipment, Inc., 5642 Natural Bridge, St. Louis, MO 63120 (314) 389-4140
www.sportsplayinc.com

581-486F 8' Heavy Duty Combination Swing

Diameter and depth of footings illustrated are satisfactory in most applications for pipe sizes up to 2 3/8" diameter. Varying soil & climatic conditions may require deeper and heavier footings in some areas. Check local building codes.

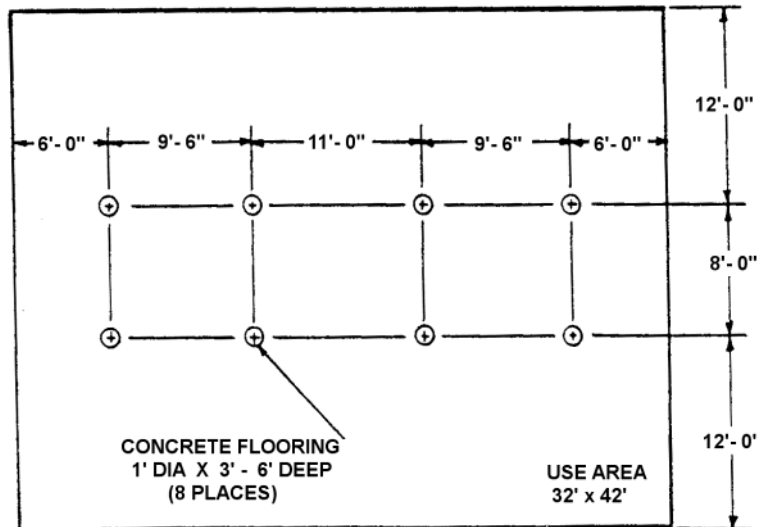
Detail:
Permanent Installation

Detail:
Suggested Bracing Method



- If resilient surfacing is to be less than 12", then additional pipe should be put in concrete to maintain proper finish grade for equipment.

USE AREA & FOOTING LAYOUT:



GENERAL USE/FALL ZONE & FOOTING RECOMMENDATIONS:

SINGLE AXIS SWINGS:

581-486F 8' Heavy Duty Combination Swing

Page 3
Rev. 06/20/2008

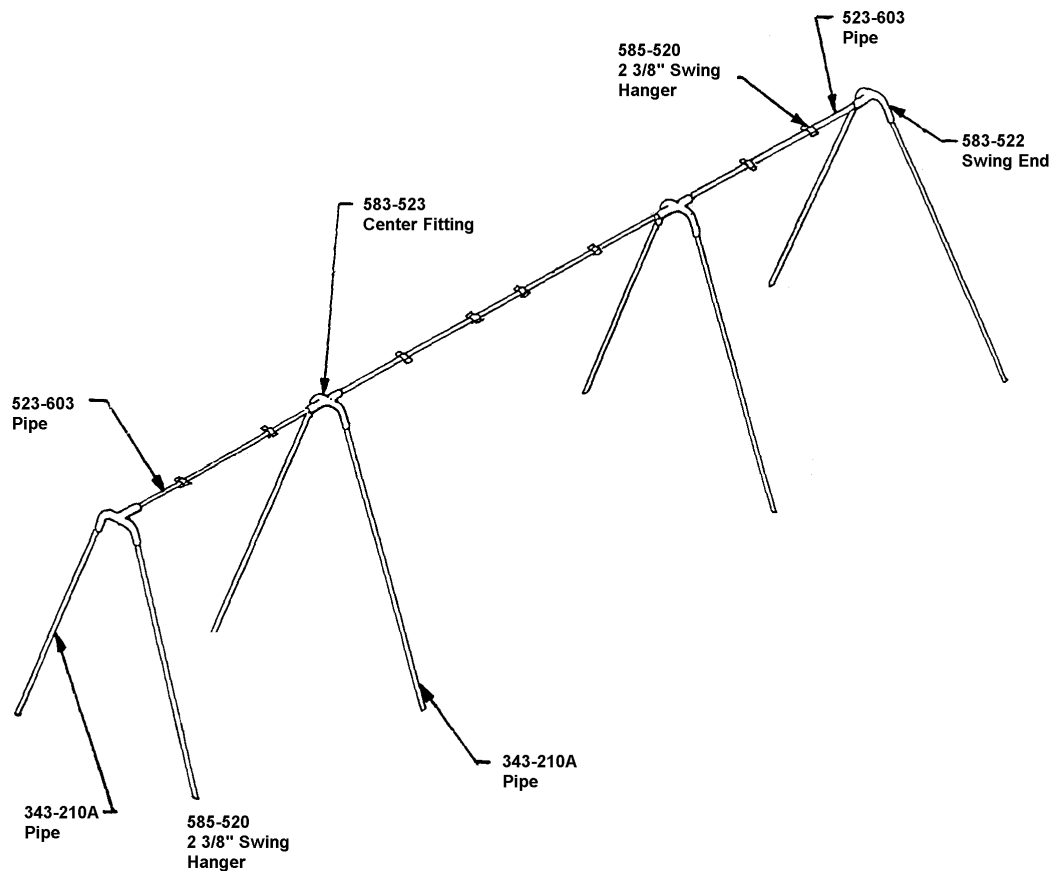
The use/fall zone should extend to the front & rear, a minimum distance of twice the height of the Top Rail Above the resilient surfacing material. The use/fall zone to the sides should follow the general recommendation of six feet minimum. This six-foot zone may overlap that of an adjacent swing structure.

ROTATING SWINGS:

The use/fall zone should extend in all directions the length of the swing plus six feet. The six-foot minimum fall zone from the supporting structure also applies, and may overlap the six-foot zone of an adjacent swing structure.

GENERAL MAINTENANCE INSTRUCTIONS:

Check MONTHLY for loose bolts, damaged or broken parts. Tighten and/or replace immediately. On swings and any equipment that uses S-hooks and/or Swing Hangers, check the bearing surfaces for wear. Replace any parts that show a reduction of 25% from the original size.



ASSEMBLY AND INSTALLATION:

NOTE: All threaded ends of bolts protruding beyond nuts must be cut off and/or peened to eliminate sharp edges. No more than two threads should extend

SportsPlay Equipment, Inc., 5642 Natural Bridge, St. Louis, MO 63120 (314) 389-4140
www.sportsplayinc.com

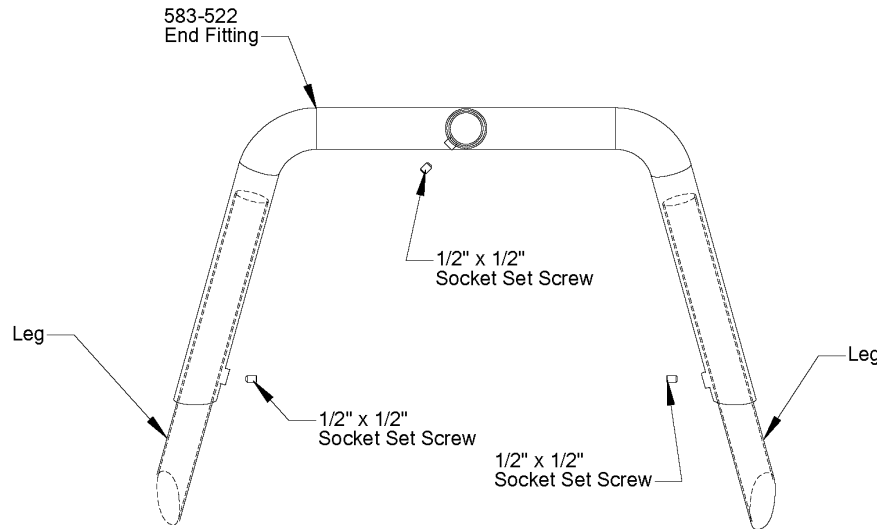
581-486F 8' Heavy Duty Combination Swing

Page 4

Rev.06/20/2008

beyond face of nut. All washers, "T" nuts and other fastener hardware used on round pipe or tubing must be hammered down to conform to the curved underlying surface to eliminate catch points. DO NOT tighten nuts more than hand-tight until entire assembly is completed.

STEP #1: Assemble swing frame on side, on ground. If more than one section, assemble section by section. Layout parts so that when frame is erected, legs will be in approximately correct position.



STEP #2: Footing holes may be marked out and dug from footing layout, however, it is easier to position swing in proper location, mark holes, move swing aside, and dig holes.

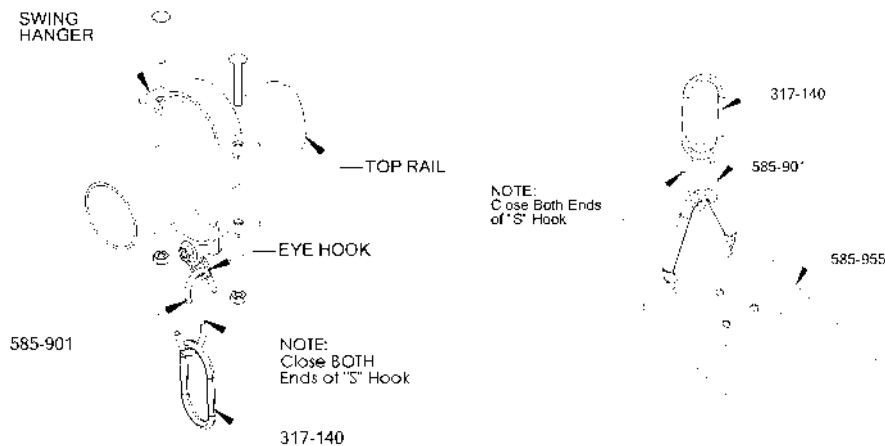
STEP #3: Stand swing upright onto legs and brace in footing holes so that 2' - 3' of pipe will be under intended level of resilient surfacing and top rail is at desired height.

STEP #4: Assemble individual Swing Components. SEE FOLLOWING PAGES:

STEP #5: Remove swing hanger pendulums from the swing hanger assemblies. Using S-hooks, attach seats to chain and chain to swing hanger pendulums. Close the S-hooks to within .034" (1/32") using S-hook pliers.

581-486F 8' Heavy Duty Combination Swing

Page 5
Rev. 06/20/2008



- STEP #6: Assemble top portion of swing hangers on top rail following spacing on page 1 diagram.
- STEP #7: Attach assembled seats to swing hangers by reattaching the pendulums to the swing hangers. Do not over tighten bolt on pendulum. Hangers must move freely.
- STEP #8: Plumb and level entire unit. Tighten set screws by using short length of pipe on end of socket key to add leverage. Pour concrete. Crown surface. Wait 48 hours before removing braces and using equipment.
- STEP #9: Attach warning label and Manufacturer's Identification label to a clean surface. The labels should be attached in a location where they are clearly visible and legible and away from normal hand and foot placement areas. The labels must be replaced if they become illegible, destroyed or removed. Contact your SportsPlay distributor for replacements.